

SVEX-1301-2M30X-ZN

Explosion Proof Camera Housing



VEILUX[®]
The Art of Surveillance



Key features

- ATEX, IECEx, CNEx, CE, Approved;
- Applicable for Gas Zone 1, Zone 2, Class II A, IIB, IIC, T1-T6 group)
- Dust Zone 21, 22.
- Certified for the latest standards IEC/EN60079 (2014)
- Cable glands: M27×1.25
- Cable entry: 2pcs
- Stainless steel 304 or 316L enclosure
- Surface optional electro-polished or painting
- Weather Proof IP68(1.2m/45min)
- Wide voltage input: AC100-240V or AC24V
- Strong tempered glass, fit for hydrofluoric acid area
- Intelligent window defroster design
- Auto temperature adjust kit for aggressive area
- High precision wiper , support user-defined
- Fit for various brand cameras
- Wall, pole, ceiling mounted way
- *Optional: Available with Germanium Glass. Model: SVEX-1301-THZ*

Application

Classic explosion-proof camera, which can load various camera. The explosion proof camera can apply for Zone 1 and Zone 2 hazardous areas that explosive mixture of group IIA, IIB, IIC, T1-T6 gases, vapors and air may exist, Zone 21 and Zone 22 hazardous areas that explosive dust may exist. It's applicable for refining and chemical industry, oil extraction, gas production, fireworks production, grain production and storage, petrol station and so on.

SVEX-1301-2M30X-ZN

Certificate	
Certificate Mark	Exd II C T6 GB/DIP A20 TA T6
Certificate No	CNEx13 3114
Standards	Q/320412 ZAF046-2013
Mechanical	
Housing	Stainless steel 304 or 316L
IP	IP68
Cable thread hole	1pcs G3/4 or NPT3/4
Sun-shield	yes
Electrical	
Voltage	100~240 VAC
Power	50W /70W (with thermostat)
Surge Protect	Optional
Optical Fiber output	Multi mode or signal mode (Optional)
Ambient	
Ambient temperature	-25 to +60 °C
Air pressure	80Kpa to 106Kpa
Relative Humidity	<95%(no condensation)
Assistant	
Communication	support analog video output/ IP Output
485 Communication	Support Pelco-D Pelco-P
Communicate Rate	2400 to 19200bps
Pan & Tilt	
Horizontal	360°
Horizontal speed	01-45°/s
Vertical	-90 to +90°
Cruise Scan	Support
Keep watch	Support
Preset	64/128/255/300
Resume function	Support
Auto Cruise	Support
Auto Scan	Support
Optional Alarm	
Alarm Input	2-channel/ 7-channel
Alarm Output	1-channel action with alarm
Intelligent Alarm	Audio detective move detective video shield network inte

Certificates



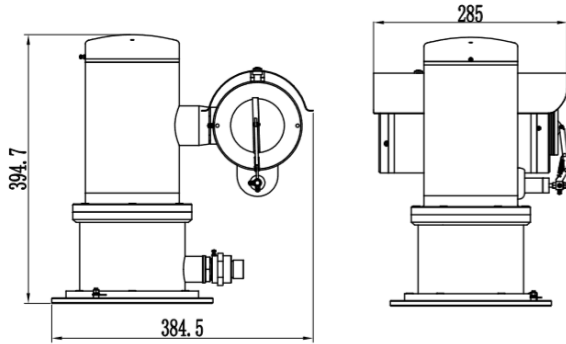
SVEX-1301-2M30X-ZN

Explosion Proof Camera Housing



VEILUX
The Art of Surveillance

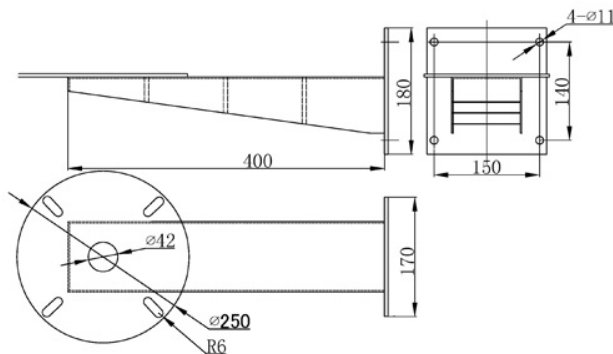
Dimensions



SVEX-1301ZM-WM

General	
Material	Stainless steel 304 or 316L
Max Loading	100kg
Weight	4.5kg

Dimensions



SVEX-1301-2M30X-ZN

Optional Audio	
Audio Input	Audio input (LINE input MIC input) audio peak:2-2 4Vp-p
Audio Output	Line-level impedance 600Ω
Network	
Network Interface	1pcs of RJ45 support 10M/100M/1000M
Video Compression	H 264 main profile / MJPEG
Audio Compression	G 722 1/ G 711-a law/ G7 11-u law/MP2L2/G 726
Voice Intercom	Support
Stream	Support three streams
Internet Protocol	IPv4/IPv6 HTTP HTTPS 802 1x Qos FTP SMTP UPnP SNMP
Time Display	Support
Standard	ONVIF CGI GB/T28181 PISA
IE browser	Support IE7 or above Google Firefox Apple
Security	Password protection Multiple access control
Camera	
Effective pixel	2MP
Lens	4.5~135mm 30x optical
Aperture Range	F1.6-F4.4
Angle of view	65 1-2 34 degree (wide -tele)
Min Illumination	Color 0.05Lux B/W: 0.01Lux
Day&night	Auto/ Color/ BW
S/N ratio	> 50dB
Gain	off/ lower/ higher
Digital Zoom	12X
White Balance	Auto/ Manual/ Auto tracking white balance/ indoor/outdoor
3D DNR	Support
BLC	ON/OFF
Image setting	Mirror Saturation Brightness Contrast Sharpness adjusta
General	
Cable	integrated cable
Size	384.5*285*394.7mm
Weight	27.5kg
Mounted	wall pole
Wall bracket	SVEX-1301ZM-WM

Optional: Germanium glass for Thermal Camera. Model: SVEX-1301-THZ