

# V-ARMOR SERIES SVEX-610-2MIR30X-ZN

Explosion Proof Integrated Camera



## Overview

SVEX-610-2MIR30X-ZN is a Veilux designed classic explosion-proof integrated camera, which is integrated by explosion proof camera (housing), pan tilt decoder and wiper, it makes install and debug on site convenient. The explosion proof camera can apply for Zone 1 and Zone 2 hazardous areas that explosive mixture of group IIA, IIB, IIC, T1~T6 gases, vapors and air may exist, Zone 21 and Zone 22 hazardous areas that explosive dust may exist. It's applicable for refining and chemical industry, oil extraction, gas production, fireworks production, grain production and storage, petrol station etc.

## Features

- ATEX, IECEx Approved;
- Applicable for Gas Zone 1, Zone 2, (Class II A, IIB, IIC, T1-T6 group)
- Dust Zone 21, 22.
- Certified for the latest standards IEC/EN60079 (2014)
- Stainless steel 304 or 316L enclosure
- Surface optional electro-polished or painting
- Weather Proof IP68 (1.2m/45min)
- Wide voltage input: AC100-240V or AC24V
- Strong tempered glass, fit for hydrofluoric acid area
- Intelligent window defroster design
- Auto temperature adjust kit for aggressive area
- High precision wiper, Supported user-defined
- Auto temperature adjust kit for aggressive area
- Symmetrical balancing design
- Intelligent long focal speed limit, fit for long distance monitoring

## Specifications

EX-PROOF MARKING	
<b>Certificate Mark</b>	2G Ex db IIC T6 Gb, 2D Ex tb IIC T80°C Db
<b>Certificate</b>	Presafe 17 ATEX 11328X, IECEx PRE 18.0030X
<b>Standards</b>	IEC/EN60079
MECHANICAL	
<b>Housing</b>	Stainless steel 304 or 316L
<b>Surface</b>	Optional electro-polish or painting
<b>Ingress protection</b>	IP66, IP68 (2m/ 2h)
<b>Cable thread hole</b>	M25×1.5 (or M27*1.25)
ELECTRICAL	
<b>Voltage</b>	100~240V AC or 24V AC or 24VDC, PoE + + (48VDC) (IEEE 802.3bt)
<b>Power</b>	50W/75W (with thermostat start)
<b>Surge Protect</b>	Optional, TVS6000V surge protect
<b>Optional Fiber Output</b>	Single mode single fibre (standard) Tx1310, Rx1550nm, FC connector Or multi-mode single fiber
<b>Optional Video Signal</b>	1-way video output
<b>Optional Network Signal</b>	RJ45
<b>Optional Audio</b>	1-way input, 1-way output
<b>Optional Alarm</b>	2-way alarm input, 1-way alarm output
<b>Address Code</b>	0/1
<b>Night Vision Lights</b>	up to 200m
<b>Trail Cable</b>	2m integrated cable Option 1: power+ CAT Option 2: power+RS485+ coaxial cable Option 3: power+ CAT+ audio+ alarm+RS485+ coaxial cable Option 4: power+ CAT+ audio+ alarm+ fiber cable
AMBIENT	
<b>Ambient temperature</b>	-40°C ~+60°C
<b>Air pressure</b>	80Kpa to 110Kpa
<b>Relative Humidity</b>	≤95% (no condensation)
COMMUNICATION	
<b>Communication Type</b>	RS485
<b>Protocol</b>	Pelco-D, Pelco-P
<b>Communicate Rate</b>	2400~19200bps adjustable
<b>485 Communication</b>	Supported
PAN & TILT	
<b>Communication Type</b>	RS485
<b>Protocol</b>	Pelco-D, Pelco-P
<b>Communicate Rate</b>	2400~19200bps adjustable
<b>485 Communication</b>	Supported
<b>Keep Watch</b>	Supported
<b>Preset</b>	64/128/255/300
<b>Resume Function</b>	Supported
<b>Auto Cruise</b>	Supported
<b>Auto Scan</b>	Supported

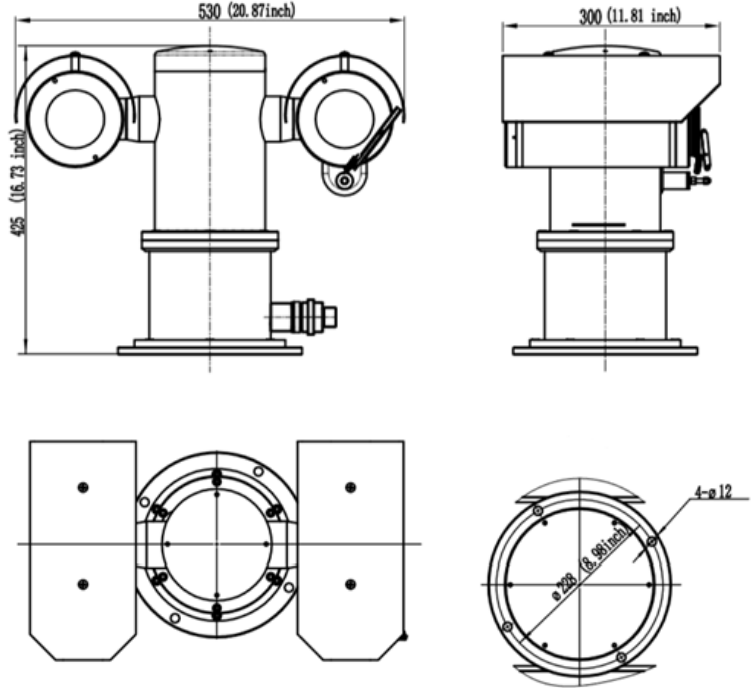
# V-ARMOR SERIES SVEX-610-2MIR30X-ZN

Explosion Proof Integrated Camera

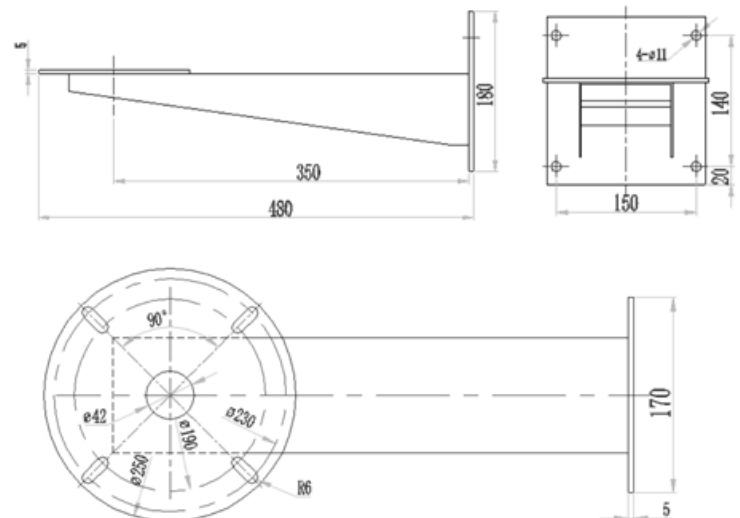


OPTIONAL ALARM	
Alarm Input	2-channel/ 7-channel
Alarm Output	1-channel, action with alarm
Intelligent Alarm	Audio detective, move detective, video shield, network interrupt, IP address conflict, storage full, storage error, illegal access
OPTIONAL AUDIO	
Audio Input	Audio input (LINE input, MIC input), audio peak:2-2.4Vp-p,output impedance: 1KΩ+10%
Audio Output	Line-level impedance 600Ω
NETWORK	
Network Interface	1pcs of RJ45, support 10M/100M/1000M
Video Compression	H.264 main profile / MJPEG
Audio Compression	G.722.1/ G.711-a law/ G.711-u law/MP2L2/G.726
Voice Intercom	Support
Stream	Support three streams
Internet Protocol	IPv4/IPv6, HTTP, HTTPS,802.1x,Qos, FTP, SMTP, UPnP, SNMP, DNS, DDNS, NTP, RTSP, RTP, TCP, UDP, IGMP, ICMP, DHCP, PPPoE
Time Display	Support
Standard	ONVIF, CGI, GB/T28181, PISA
IE Browser	Support IE7 or above, Google, Firefox, Apple
Security	Password protection, Multiple access control
CAMERA	
Type	2MP 30X optical zoom camera
Sensor	1/2.8", 2 megapixel, progressive scan, CMOS
Lens	4.3-129mm, 30X optical
zoom	Automatic focusing and motorized zoom lens
iris	Auto manual: F1.5~F3.4
shutter	Auto/manual, shutter time: 1/6~1/8000s
WDR	120dB
Min. Illumination	0.005lux (F1.6, 50IRE, color) 0.0005lux (F1.6, 50IRE, B&W)
Day & Night	IR-cut filter with auto switch (ICR)
Video Compression	H.265, H.264
Frame Rate	1080P (1920x1080) Max 60fps
Video Stream	Three stream
OSD	Time OSD, customized OSD
Motion Detection	Supported
Privacy Mask	Supported
Edge Storage	Support Micro SD, up to 128GB
Network Storage	Dual-way iSCSI block storage
Protocols	L2TP, IPv4, IGMP, ICMP, ARP, TCP, UDP, DHCP, PPPoE, RTP, RTSP, DNS, DDNS, NTP, FTP, UPnP, HTTP, SNMP, SI
Compatible integration	ONVIF2.4, GB/T28181
Digital zoom	16x
GENERAL	
Size (LxWxH)	530 x 295 x 420 (mm)
Net Weight	45kg
Compatible Mounts	Wall, Pole, Corner

## Dimensions



## Pole Mount Adapter

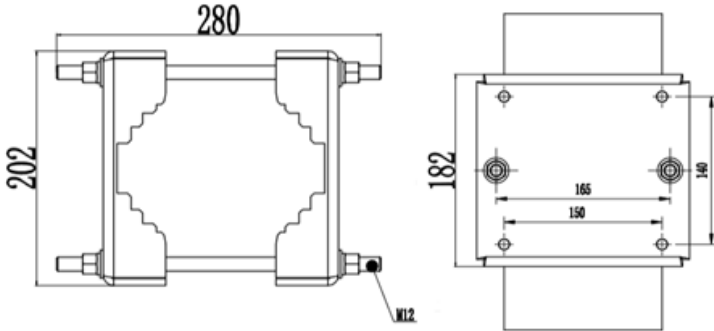


# V-ARMOR SERIES SVEX-610-2MIR30X-ZN

Explosion Proof Integrated Camera



Wall Bracket



Corner Bracket

