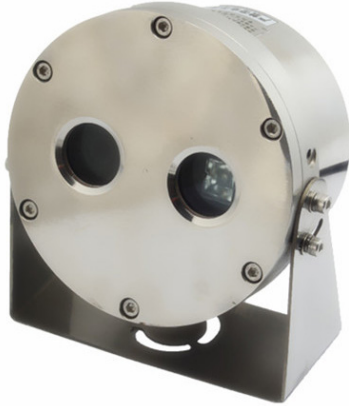


# V-ARMOR SERIES SVEX-B100-2MP-4MM

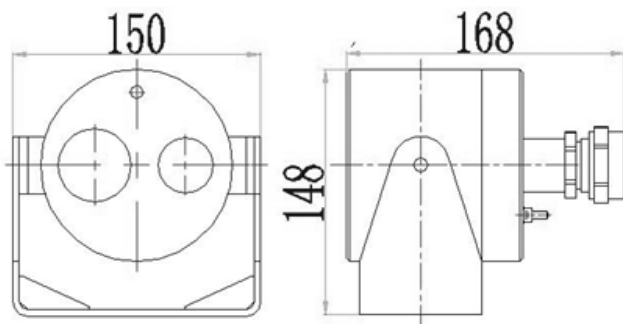
Explosion Proof Smart CCTV Camera With Light



## Features

- Stainless steel 304 or 316L
- Optional electropolished or corrosion resistant paint finish
- Enclosure Protection: IP68
- Exd II CT6 Gb/ Ex tD A21 IP68 T80°C
- Power input: DC12V or POE power supply
- Includes lights for night vision: 0-30m distance
- Application: Oil tank, dangerous goods vehicle, marine vessel

## Dimensions



Units in mm

## Model

<b>Atmospheric Pressure</b>	80KPa~110Kpa
<b>Ambient Temperature</b>	-20°C~+60°C
<b>Relative Humidity</b>	≤95% (+25°C)
<b>Ex-Proof Mark</b>	Exd II CT6 Gb/ Ex tD A21 IP68 T80°C
<b>Explosion Proof Certified</b>	CNEx 16.2526
<b>Ingress Protection</b>	IP68
<b>Housing Material</b>	Stainless Steel 304 or 316L
<b>Image Sensor</b>	1/3" Progressive Scan CMOS
<b>Signal</b>	PAL/NTSC
<b>Effective Pixel</b>	1920 x 1080 (HD type)
<b>Min. Illumination</b>	0.01Lux @ (F1.2, AGC ON), 0 Lux with IR
<b>Shutter</b>	1/3 sec to 1/100,000 sec
<b>Lens</b>	4mm (6mm optional)
<b>Lens Mount</b>	M12
<b>Day &amp; Night</b>	IR cut filter with auto switch
<b>Horizontal Resolution</b>	1920x 1080
<b>Video Output</b>	1 RJ45 10M / 100M ethernet interface
<b>S/N Rate</b>	above 62 dB
<b>Auto Gain</b>	Lower/ middle/ high/ off
<b>Color</b>	Color/ B&W / IR
<b>White Balance</b>	auto/ manual
<b>Private Protect</b>	on/off, 8 zones
<b>Move Detection</b>	on/off, 4 zones
<b>Exposure</b>	total exposure/ wide balance
<b>3D Noise</b>	lower/ middle/ high/ off
<b>Function</b>	SMART IR contrast, Sharpness, saturation, mirror, zoom
<b>Light Night Vision</b>	0-30m
<b>Voltage Input</b>	DC12V/ POE
<b>Power Consumption</b>	5W Max
<b>Cable Output</b>	Integrated cable, 2m long
<b>Cable Gland</b>	1pcs G3/4
<b>Overall Dimension</b>	168 x 150 x 148 (L x W x H)
<b>Net Weight</b>	4.3 kg
<b>Material</b>	Stainless steel 304 or 316L
<b>Max Loading</b>	20kg
<b>Weight</b>	1.8kg