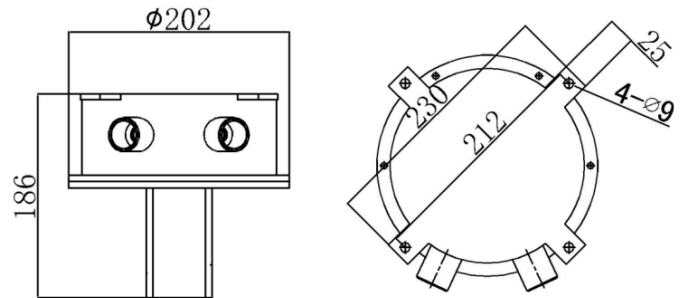
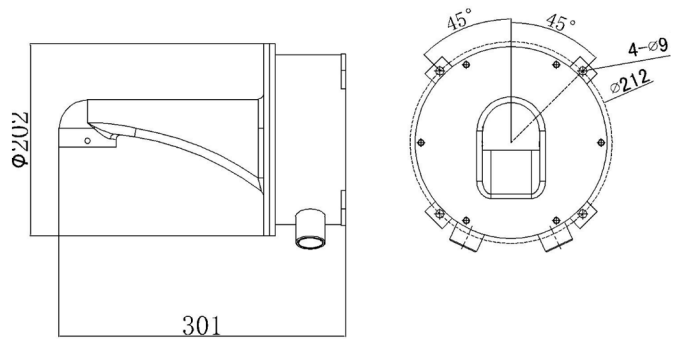
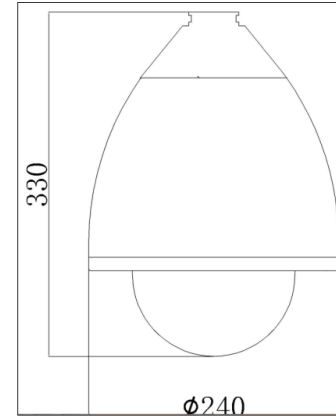


SVEX-EX-CD

ATEX Certificated Stainless steel Explosion-proof Housing



Dimensions



Dimension in mm

Features

- Available in 304 or 316L Stainless steel
- Enclosure Protection: IP66
- 10 core composite cable
- Can be wall mounted, set on a fixed bracket or on a pillar base.
- Inlet hole G-3/4" x 1

Specifications

Ex-Level	ATEX II 2G Ex d IIC T6 Gb II 2D Ex tb IIIC IP66 T80°C Db
Ingress Protection	IP66, Built-in surge arrester, anti-electricity surge < TVS 4000V.
Temperature Range	-40°C ~ 60°C
Relative Humidity	≤ 95% (+25°C)
Atmospheric Pressure	80kpa ~ 106 kpa
Material	304 stainless steel (316L optional)
Size	6 inch
Camera Housing Covering	bottom cover Polycarbonate transparent Material
Inlet Hole Specifications	G-3/4" x 1
Electrical Connections	10- core composite cable
Installation Method	Wall Hanging dyadic, fixed bracket, Pillar base