

# V-ARMOR SERIES SVEX-HQ30-Z

Explosion-proof High Speed Dome Housing



**VEILUX**<sup>®</sup>  
*The Art of Surveillance*



## Features

- Stainless steel 304 or 316L
- Optional electroplated or corrosion resistant paint finish
- IP68, dust tight, protect against continuous immersion in water
- Suitable for high speed dome cameras
- Indoor, outdoor installation
- Designed for highly corrosive areas
- Working temperatures: -13°F ~ 140°F (-25°C ~ 60°C)

## Specifications

CERTIFICATIONS	
Certificate Mark	Ex d IIC T6 Gb/Ext DA21 IP68 T80°C
Certificate No	CNEX15.2504X
Standards	Q/320412 ZAF026-2015
MECHANICAL	
Housing	Stainless steel 304 or 316L
IP	IP68
Cable thread hole	1pcs M28 x 1.5 to G3/4
Wiper	No
ELECTRICAL	
Voltage	AC85V~AC265V or DC24V or AC24V
Power	25W/35W (with thermostat)
Surge Protect	Optional, TVS6000V surge protect
AMBIENT	
Ambient temperature	-25°C to 60°C
Air pressure	80Kpa to 106Kpa
Relative Humidity	≤95% (no condensation)
COMMUNICATION	
Communication	Supports analog video output
485 Communication	Supports Pelco-D, Pelco-P
Communicate Rate	2400 to 19200bps
PAN AND TILT	
Horizontal	360°
Speed	Horizontal 0.1-300°/s, Vertical 0.1-250°/s
Vertical	-90 to +0
Cruise Scan	Support
Keep watch	Support
Preset	64/128/255/300
Resume function	Support
Auto Cruise	Support
Auto Pattern	Support
Auto Scan	Support
GENERAL	
Cable	Integrated cable
Size	250 x 250 x 352 (mm)
Net Weight	11.5kg
Mounted	Wall, pole

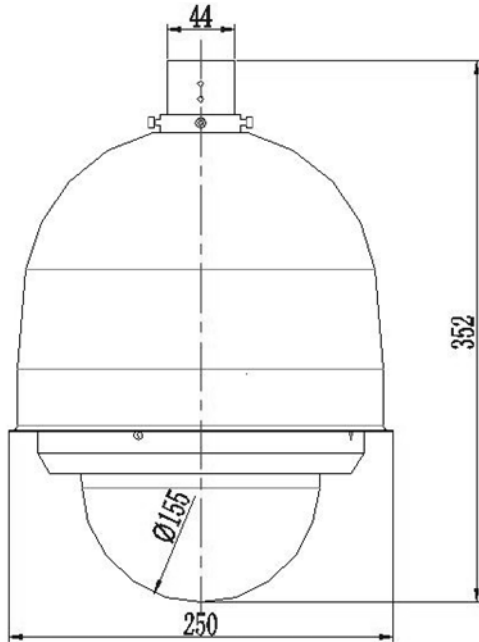
# V-ARMOR SERIES SVEX-HQ30-Z

Explosion-proof High Speed Dome Housing

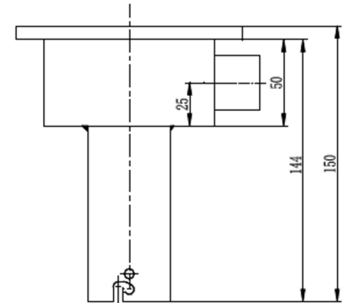
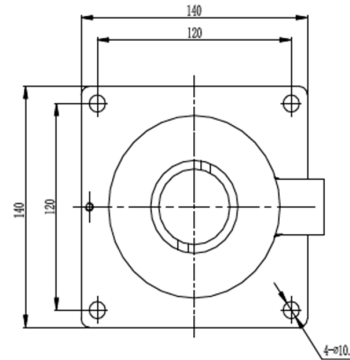


**VEILUX**<sup>®</sup>  
*The Art of Surveillance*

## Dimensions



## Optional



## Bracket

