

# SVEX-HSF-Z

Air or Water Cooling Explosion Proof Camera Housing



## Features

- ATEX, IECEx Certified;
- Applicable for Gas Zone 1, Zone 2,
- Class II A, IIB, IIC, T1-T6 group) Dust Zone 21, 22.
- Stainless steel 304 or 316L enclosure
- Surface optional electro-polished or painting
- Weather Proof IP68 (1.2m/45min)
- Strong tempered glass
- Wall mount sold separately

## Specifications

CERTIFICATES	
Certificate Mark	Exd IIC T5 GB/DIP A20 TA, T5
Certificate No	CNEx13.4248
Standards	Q/320412ZAF012-2013
MECHANICAL	
Housing	Stainless steel 304 or 316L
IP	IP68
Cable thread hole	2pcs G3/4 or NPT3/4
ELECTRICAL	
Voltage	AC85V ~ AC265V or DC24V or AC24V
Power	15W
AMBIENT	
Ambient Temperature	Air cooling -25°C to +150°C, Water cooling 0°C to +250°C
Water Cooling	Water Flow: 0.3m <sup>3</sup> /h, ≤35°C pressure ≥0.1MPa
Air Cooling	Air Flow: 0.3-0.6m <sup>3</sup> /min, ≤35°C pressure 0.1-0.2 MPa
Window Thickness	8mm
Window Area	Ø 80mm
Cooling Water Joint	G1/2
Cooling Water Temperature	≤35°C
Cooling Water Pressure	0.1 - 0.2 MPa
Cooling water Flow	0.3 m <sup>3</sup> /h
Air Input Size	G1/2
Air Input Pressure	0.3-0.6 m <sup>3</sup> /min
Air Pressure	0.1-0.2 MPa
Power Consumption	15W
Input Voltage	AC100V ~ AC240V
Working Current	3A
Connections	G3/4
Ambient Pressure	80Kpa to 106Kpa
Relative Humidity	≤95% (no condensation)
GENERAL	
Dimensions	374 x 163 x 185 (mm)
Housing Inner Size	260 x 80 x 80 (mm)
Weight	9.1kg
Mounted	wall, pole

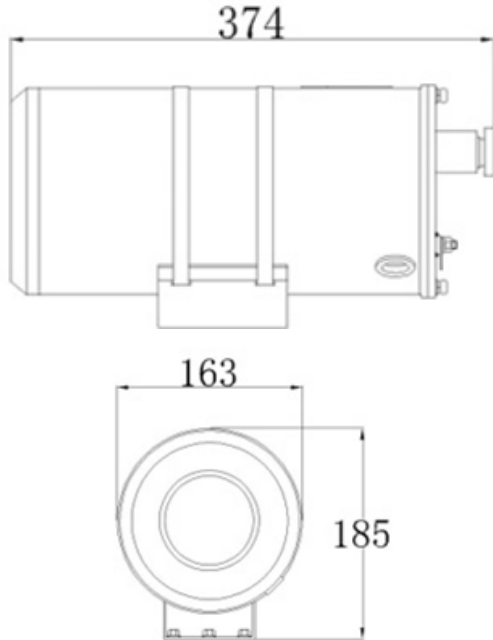
# SVEX-HSF-Z

Air or Water Cooling Explosion Proof Camera Housing



**VEILUX**  
The Art of Surveillance

## Dimensions



## Wall Mount Bracket



(Sold Separately)

GENERAL	
Material	Stainless steel 304 or 316L
Flexible Joint	Yes
Max Loading	100kg
Weight	2.5kg

## Dimensions

