

# V-ARMOR SERIES SVEX-IR

Explosion-proof Illuminator



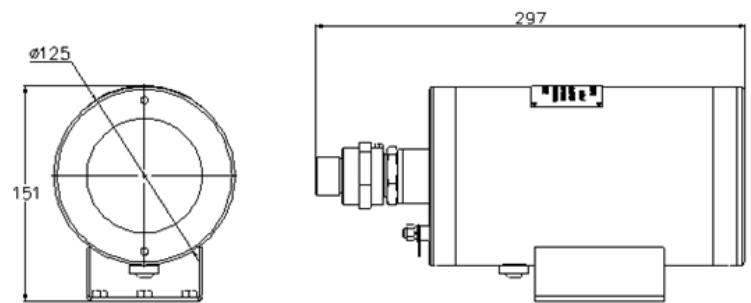
## Features

- Operating temperature -40°C to +60°C
- Input voltage: AC10~240V, AC24V, DC24V, DC12V, PoE+ (DC48V)
- Power: 25W (without thermostat, blower)
- Up to 150m infrared lighting distance
- IP68

## Specifications

EX-PROOF MARKING	
<b>Certificate Mark</b>	Exd II CT6 Gb/ Ex tD A21 IP68 T80□
<b>Standards</b>	Q/320412ZAF002-2020
MECHANICAL	
<b>Housing</b>	Stainless steel 304 or 316L
<b>IP</b>	IP68
<b>Cable Thread Hole</b>	1pcs M25x 1.25 or M27x 1.25
ELECTRICAL	
<b>Voltage</b>	AC100 ~ 240V, AC24V, DC24V, DC12V, PoE+ (DC48V)
<b>Power</b>	25W (without thermostat, blower)
AMBIENT	
<b>Ambient temperature</b>	-40°C to +60°C
<b>Air pressure</b>	80Kpa to 110Kpa
<b>Relative Humidity</b>	≤95% (no condensation)
LIGHTS	
<b>Lights</b>	150m Infrared lights distance
<b>Lights control</b>	Supported
<b>Light Type</b>	Standard version is infrared lights Optional White light version
GENERAL	
<b>Overall size</b>	297 x 125 x 151 (mm)
<b>Weight</b>	5.3kg
<b>Compatible Mounts</b>	Wall bracket

## Dimensions



# V-ARMOR SERIES SVEX-IR

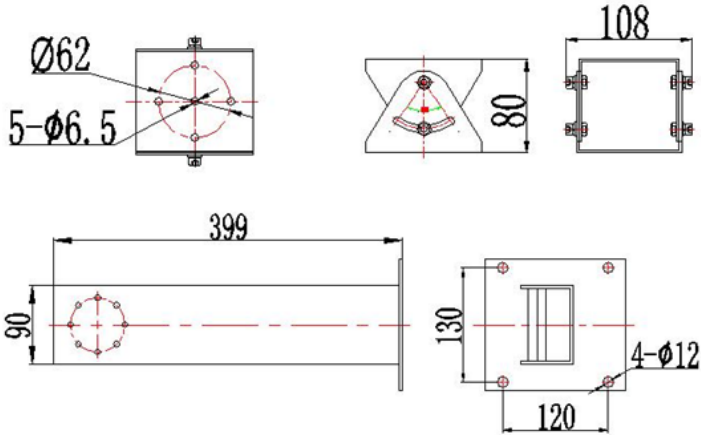
Explosion-proof Illuminator



Wall Bracket



GENERAL	
<b>Material</b>	Stainless steel 304 or 316L
<b>Flexible Joint</b>	Yes
<b>Max Loading</b>	100kg
<b>Weight</b>	2.8kg



Wall Bracket



GENERAL	
<b>Material</b>	Stainless steel 304 or 316L
<b>Flexible Joint</b>	Yes
<b>Max Loading</b>	100kg
<b>Weight</b>	3.5kg

Explosion Proof Cable



GENERAL	
<b>Connector Material</b>	Carbon Steel or Stainless steel 304 or 316L
<b>Connector size</b>	G3/4
<b>Certificate Mark</b>	Ex e IIC Gb
<b>IP</b>	IP68
<b>Ambient temperature</b>	-25°C to +60°C
<b>Air pressure</b>	80Kpa to 106Kpa
<b>Relative Humidity</b>	≤95% (no condensation)
<b>Length</b>	1m, 1.5m, 2m