

V-ARMOR SERIES SVEX-T100-2M30X

Explosion-proof Fixed with 2MP 30X Camera



Overview

The classic explosion-proof camera, which can load various camera. The explosion proof camera can apply for Zone 1 and Zone 2 hazardous areas that explosive mixture of group IIA, IIB, IIC, T1~T6 gases, vapors and air may exist, Zone 21 and Zone 22 hazardous areas that explosive dust may exist. It's applicable for refining and chemical industry, oil extraction, gas production, fireworks production, grain production and storage, petrol station and so on.

Features

- ATEX, IECEx Certified;
- Applicable for Gas Zone 1, Zone 2,
- Class II A, IIB, IIC, T1-T6 group)
- Dust Zone 21, 22.
- Certified for the latest standards IEC/EN60079
- Stainless steel 304 or 316L enclosure
- Surface optional electro-polished or painting
- Weather Proof IP68 (2m/2h)
- Option voltage: AC100-240V or AC24V or DC24V or PoE++
- Strong tempered glass, fit for hydrofluoric acid area
- Intelligent window defroster design
- Auto temperature adjust kit for aggressive area
- High precision wiper, support user-defined
- Fit for various brand cameras
- Wall, pole, ceiling or corner mounted way

Specifications

EX-PROOF MARKING	
Certificate Mark	without optical fibre version: CE2460 Ex II 2G Ex db IIC T6 Gb Ex II 2D Ex tb IIC T80 °C Db with optical fibre version: Ex II 2G Ex db op or II C T6 Gb Ex II 2D Ex tb op pr II C T80 °C Db
Certificate	Presafe 17 ATEX 11326X, IECEx PRE18.0012X
Standards	IEC/EN60079
MECHANICAL	
Housing	Stainless steel 304 or 316L
Surface	Optional electro-polish or painting
Ingress Protection	IP68 (1.2m/ 45min)
Cable Thread Hole	2pcs M25×1.5 (or M27 x 1.25)
ELECTRICAL	
Voltage	AC100V~AC240V 50/60Hz or AC24V 50/60Hz DC24V or PoE++ (48 V d.c.)
Power	≤36W
Surge Protect	Optional, TVS6000V surge protect
Optical Fiber output	multi-mode single fiber or single mode single fibre Tx1310, Rx1550nm, FC connector
Optical Video signal	1-way video output
Optional network signal	RJ45
Optical Audio	1-way input, 1-way output
Optical Alarm	2-way alarm input, 1-way alarm output
Address code:	0/1
Trail cable	2m integrated cable
AMBIENT	
Ambient Temperature	-40°C to +60°C with normal length -40°C to +58°C with short enclosure/cylinder
Air Pressure	80Kpa to 110Kpa
Relative Humidity	≤95% (no condensation)
COMMUNICATION	
Communication type	RS485
Protocol	Pelco-D, Pelco-P
Communicate Rate	2400~19200bps adjustable
485 Communication	Support
CAMERA	
Type	2MP 30X optical zoom camera
Sensor	1/2.8inch, 2.0 megapixel, progressive scan, CMOS
Lens	4.3-129mm, 30X optical
Zoom	automatic focusing and motorized zoom lens
Iris	Auto manual: F1.5~F3.4
Shutter	Auto/manual, shutter time: 1/6~1/8000s
WDR	120dB
Min. Illumination	0.005lux (F1.6, 50IRE, color) 0.0005lux (F1.6, 50IRE, B&W)
Day & Night	IR-cut filter with auto switch (ICR)
Video Compression	H.265, H.264
Frame Rate	1080P (1920x1080) Max 60fps
Video Stream	Three streams

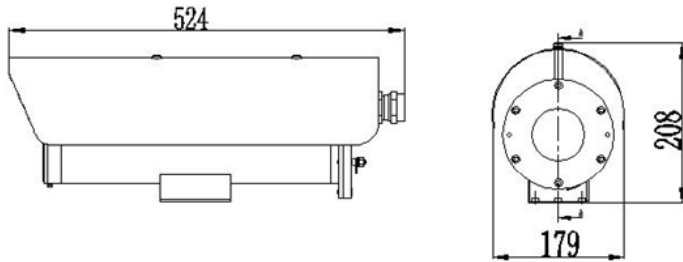
V-ARMOR SERIES SVEX-T100-2M30X



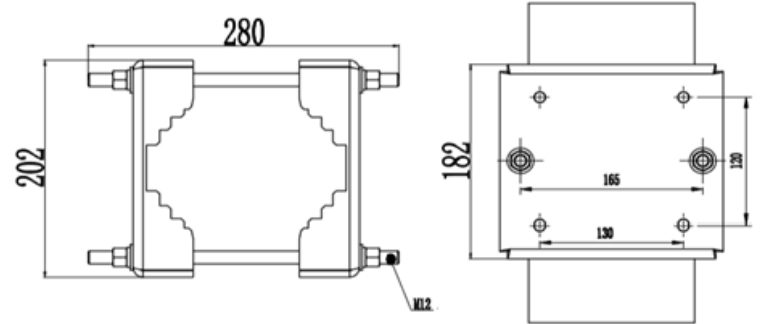
Explosion-proof Fixed with 2MP 30X Camera

OSD	Time OSD, customized OSD
Motion Detection	support
Privacy Mask	support
Edge Storage	Support Micro SD, up to 128GB
Network Storage	Dual-way iSCSI block storage
Protocols	L2TP, IPv4, IGMP, ICMP, ARP, TCP, UDP, DHCP, PPPoE, RTP, RTSP, DNS, DDNS, NTP, FTP, UPnP, HTTP, SNMP, SI
Compatible Integration	ONVIF2.4, GB/T28181
Digital Zoom	16x
GENERAL	
Sun-shield	Yes
Wiper	No
Size (WxHxL)	524 x 179 x 208 (mm)
Net Weight	12.5kg
Compatible Mounts	Wall, Pole, Corner

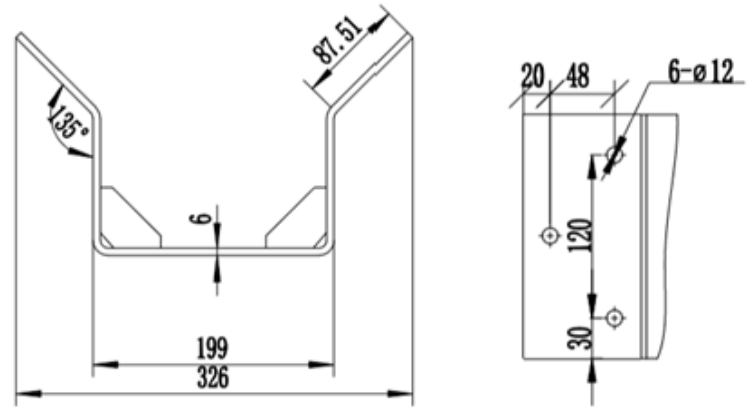
Dimensions



Pole Mount Adapter



Corner Bracket



Wall Bracket

