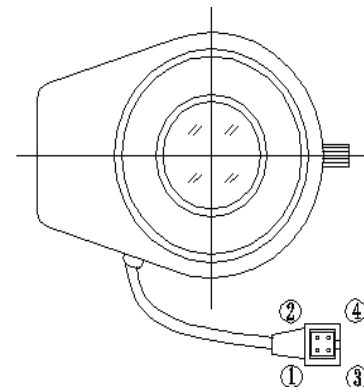
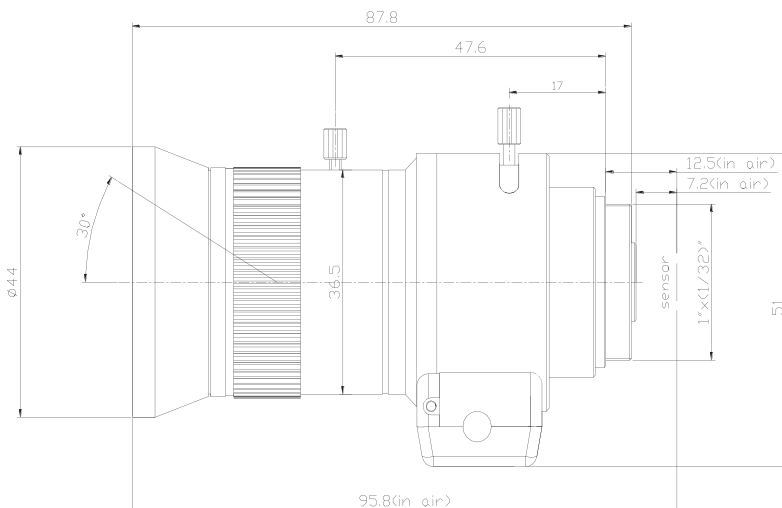


VL-0560MP

Megapixel Lens with IR Function



Dimensions



Specifications			
Model	VL-0560MP		
Focal Length	5~60		
Aperture (D/f)	1/1.6		
Mount	CS		
Format (inch)	1/2.7"		
H-FOV	51°~5°		
Dimension (mm)	Φ44.0x87.8x51.0		
Weight (g)	175±5		
M.O.D.	0.7		
Operation			
Focus	(w/lock)		
Zoom	(w/lock)		
Iris	DC		
Tolerance			
Dimension	0-10	10-30	30-100
Tolerance	±0.10mm	±0.20mm	±0.30mm
Auto Iris			
DC Resistance	Excite: 190 Ω ±10%	Brake: 740 Ω ±10%	
Operating Voltage	C→0 3.5V~5V		
Iris Wiring Instruction	① Drive- ② Drive+ ③ Damp+ ④ Damp-		
Iris Line Length	300mm		
Operational Environment			
Storage Temperature	-4°F ~ +140°F (-20°C ~ +60°C)		
Working Temperature	14°F ~ +140°F (-10°C ~ +50°C)		
Storage Humidity	10~90%RH (non-condensing)		
Working Humidity	10~90%RH (non-condensing)		