

VL-3MP2812

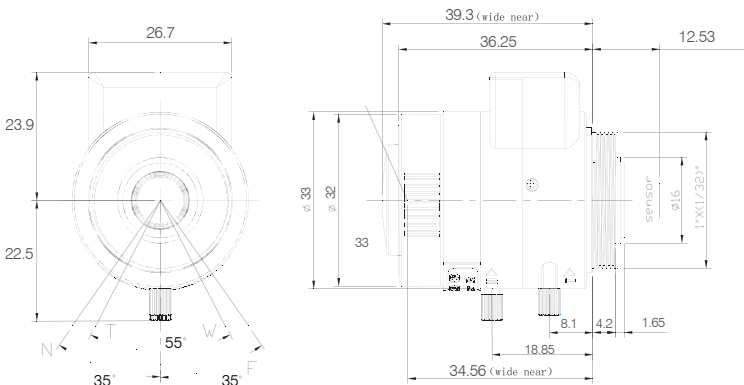
3 Megapixel IR Lens



Key Features

- 2.8-12mm
- 1/2.7" Format
- 3 Megapixel
- CS Mount
- DC-Iris
- IR Correction

Dimensions



Specifications		
E.F.L.	2.8~12mm	
F No.	F1.4	
H. FOV	86° ~ 26°	
Image Format	1/2.7" (max)	
Iris Type	DC-Iris	
Mount Type	CS	
M.O.D.	0.3m	
TV Distortion	-15% (wide)	
Chief Ray Angle (Max)	<8°	
Control Type	Zoom: Manual Focus: Manual	
Operating Temperature	-4°F ~ 140°F (-20°C ~ 60°C)	
Weight	40g ± 4g	
Connector and Cord Specifications		
1	Damping (-)	
2	Damping (+)	
3	Driving (+)	
4	Driving (-)	
Connector	Square 4 Pin: JEITA Standard	
	Cable Length: 250mm	
DC-Iris Specification		
DC Motor	Driving Coil	190 Ω at 20°C
	Control	560 Ω at 20°C
	Storage Temperature	-30 ~ 70°C
Operating	Voltage (Open)	3.5 ~ 5V
	Voltage (Close)	<0.5V
	Operating Temperature	-20 ~ 60°C

