

# VL-EX8233H-XX

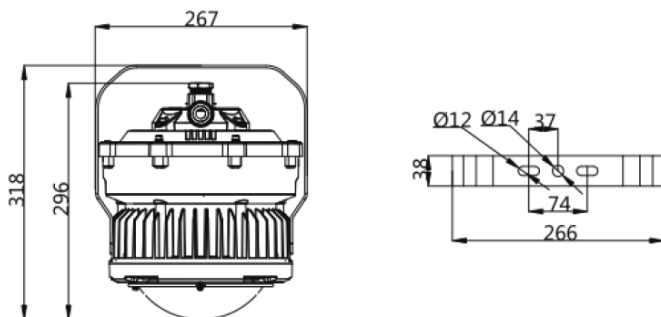
Explosion-proof Short Height Bay Light



## Features

- Built-in smart cloud technology controller, remote control, status query, environment acquisition, electronic map, light condition monitoring and other functions, automatic dimming according to lighting needs, the annual electricity consumption rate ~ 34%.
- LED light source, with an average service life of up to 100,000 hours. Wide voltage processing for constant current output with surge protection functions, to help extend the service life.
- Independent upper and lower ventilation convection structure design, improve heat dissipation and avoid dust accumulation. Heat sink adopts inner and outer circumferential array to further improve heat dissipation performance.
- Anti-glare: tempered glass cover (available in transparent or matte). The honeycomb crystal design helps soften the light and reduce shadows. The light transmittance is as high as 95%-98%, suitable for various solid light settings.
- Rated IP66 the lamp body is WF2 anti-corrosion rated. The surface of the lamp body will never corrode or rust.
- Can be installed in different configurations such as ceiling, curved rod, vertical pole, U-shaped anti-vibration bracket (angle adjustable) as needed.
- The double inlet port design separates the power supply cavity and wiring cavity which makes the installation and wiring safer and convenient.

## Dimensions



## Specifications

<b>Rated Voltage</b>	220V
<b>Power</b>	50W-90W
<b>Protection Level</b>	IP66
<b>Frequency</b>	50/60 hz
<b>Lighting Angle</b>	120°
<b>LED Qty</b>	80 pcs
<b>Base Specifications</b>	CREE3030
<b>Anti-corrosion Grade</b>	WF2
<b>Explosion-proof Grade</b>	EX d II C T6
<b>Light Efficiency</b>	120 Lm/W
<b>Frequency</b>	50/60 Hz
<b>Power Factor</b>	>0.95 PF
<b>Operating Temperature</b>	-30°C ~ 50°C
<b>Storage Temperature</b>	-30°C ~ 50°C
<b>Light Source</b>	LED
<b>Color Temperature</b>	3000K-6500K
<b>Color Rendering Index</b>	≥70 RA
<b>LED's Operating Life</b>	100,000 Hours
<b>Start-up</b>	≤0.2s
<b>Executive Standard</b>	GB3836.1, GB3836.2
<b>Weight</b>	6.6 kg
<b>Size</b>	Ø 267 x 296 (mm)

## Wattages Available

MODEL	VOLTAGE
<b>VL-EX8233H-50</b>	<b>50W</b>
<b>VL-EX8233H-60</b>	<b>60W</b>
<b>VL-EX8233H-80</b>	<b>80W</b>
<b>VL-EX8233H-90</b>	<b>90W</b>

## Test Report

