

VL-EXI8189-XX

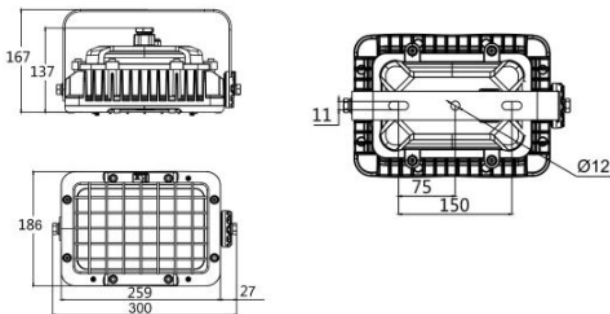
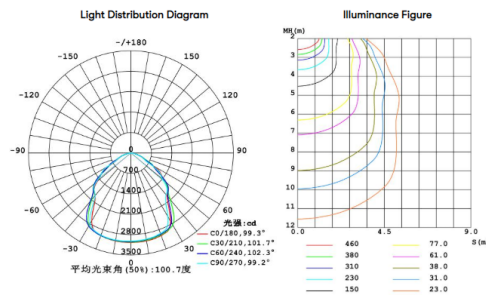
Explosion-proof LED Flood Lamp



Key Features

- Input Voltage: AC100-270V
- LED Source: Cree
- PF>0.95 CRI: Ra>75
- IP Rating: IP66
- Lumen Flux: 120 Lm/w
- Anti-corrosion: WF2
- Weight: 3.8 kg / 8.3 lbs
- Ex-proof Grade: ExdIICT6

Dimensions



SPECIFICATIONS	
Rated Voltage	AC220V
Power	40-70W
Frequency	50/60 hz
Light Efficiency	120 lm
Power Factor	>0.95 pf
Operating Temperature	-30~50 °C / -22~122 °F
Storage Temperature	-30~50 °C / -22~122 °F
Protection Level	IP66
Lighting Angle	15/25/36/45/60/90/120 °
Light Source	LED
Correlate Color Temperature	3000-6500 k
Color Rendering Index	≥70 ra
LED Qty	95 pcs
Base Specifications	CREE3030
LED'S Operating Life	100000 h
Start-Up Time	≤0.2 s
Anti-Corrosion Grade	WF2
Explosion Proof Grade	ExdembIICT6
Executive Standard	GB3836.1 / GB3836.2
Weight	3.8 kg / 8.3 lbs
Size	300 × 186 × 137 mm / 11.8 × 7.3 × 5.3 in
Packaging Size	25X25X22.3 cm
Gross Weight	5

MODEL	VOLTAGE
VL-EXI-8189-40	40W
VL-EXI-8189-60	60W
VL-EXI-8189-70	70W