

# VL-EXL8230-XX

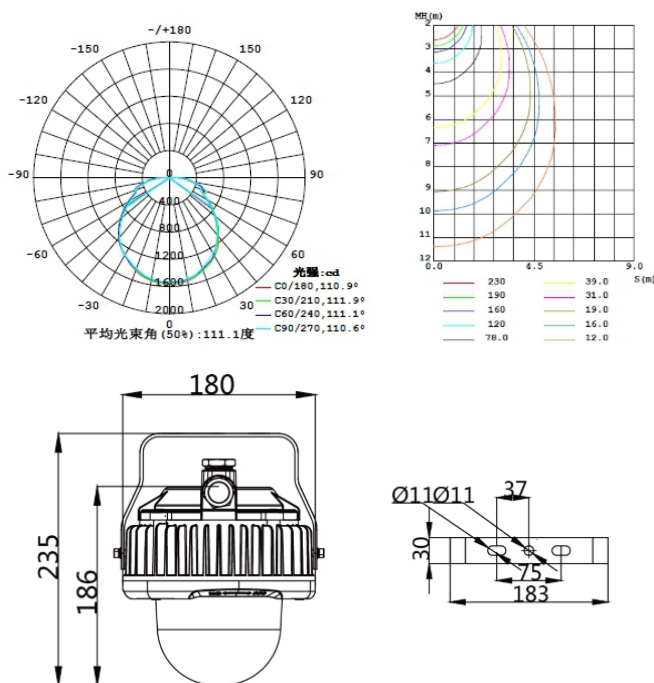
Explosion Proof Hanging Lamp Large



## Key Features

- Input Voltage: AC100 - 270 v
- Led Source: Cree
- PF>0.95 CRI: Ra>75
- Protection Grade: IP66
- Lumen Flux: 120 lm/w
- Anti Corrosion: WF2
- Weight: 2.5 kg / 5.5 lbs
- Size: 180 x 148 mm / 7 x 5.8 in
- Beam Angle: 111.1°
- Ex-proof Grade: ExdIICT6
- Carton Size: 20.5 × 20.5 × 21 cm / 8 x 8 x 8.2 in
- Gross Weight: 3.13 kg / 6.9 lbs

## Dimensions



SPECIFICATIONS	
<b>VIDEO INPUT</b>	
Rated Voltage	AC220V
Power	10-45W
Frequency	50/60Hz
Light Efficiency	120lm
Power Factor	>0.95 pf
Operating Temperature	-30~50 °C / -22~122 °F
Storage Temperature	-30~50 °C / -22~122 °F
Protection Level	IP66
Lighting Angle	110 °
Light Source	LED
Correlate Color Temperature	3000-6500 k
Color Rendering Index	≥70 ra
LED Qty	45 pcs
Base Specifications	CREE3030
LED'S Operating Life	100000 h
Start-Up Time	≤0.2 s
Anti-Corrosion Grade	WF2
Explosion Proof Grade	ExdIICT6W
Executive Standard	GB3836.1 / GB3836.2
Weight	2.8 kg / 6.17 lbs
Size	180 × 211 mm / 7 x 8.3 in

MODEL	VOLTAGE
VL-EXL8230-20	20W
VL-EXL8230-30	30W
VL-EXL8230-40	40W
VL-EXL8230-45	45W