

VL-EXLG-8232-XXX

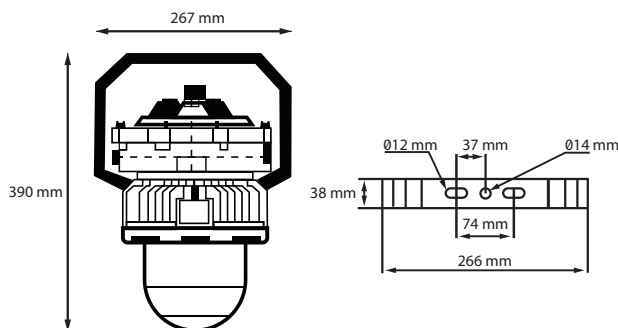
Explosion-proof Large Hanging Lamp



Features

- Built-in smart cloud technology controller, remote control, status query, environment acquisition, electronic map, light condition monitoring and other functions, automatic dimming according to lighting needs, the annual electricity consumption rate ~ 34%.
- LED light source, with an average service life of up to 100,000 hours. Wide voltage processing for constant current output with surge protection functions, to help extend the service life.
- Independent upper and lower ventilation convection structure design, improve heat dissipation and avoid dust accumulation. Heat sink adopts inner and outer circumferential array to further improve heat dissipation performance.
- Anti-glare: tempered glass cover (available in transparent or matte). The honeycomb crystal design helps soften the light and reduce shadows. The light transmittance is as high as 95%-98%, suitable for various solid light settings.
- Rated IP66 the lamp body is WF2 anti-corrosion rated. The surface of the lamp body will never corrode or rust.
- Can be installed in different configurations such as ceiling, curved rod, vertical pole, U-shaped anti-vibration bracket (angle adjustable) as needed.
- The double inlet port design separates the power supply cavity and wiring cavity which makes the installation and wiring safer and convenient.

Dimensions



Specifications

Rated Voltage	220V
Power	40W-80W
Protection Level	IP66
Frequency	50/60 hz
Lighting Angle	140°
LED Qty	80 pcs
Base Specifications	CREE3030
Anti-corrosion Grade	WF2
Explosion-proof Grade	EX d II C T6
Light Efficiency	120 Lm/W
Frequency	50/60 Hz
Power Factor	>0.95 PF
Operating Temperature	-30°C ~ 50°C
Storage Temperature	-30°C ~ 50°C
Light Source	LED
Color Temperature	3000K-6500K
Color Rendering Index	≥70 RA
LED's Operating Life	100000 Hours
Start-up	Time
Executive Standard	GB3836.1, GB3836.2
Weight	7.2 kg
Size	Ø 267 x 368 (mm)

Wattages Available

MODEL	VOLTAGE
VL-EXLG-8232-100	100W
VL-EXLG-8232-120	120W
VL-EXLG-8232-150	150W

Test Report

