

VL-EXS8266-XXX



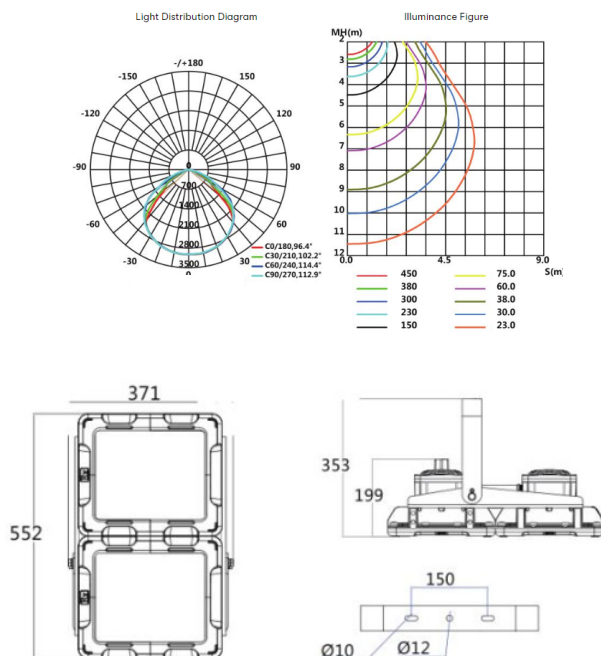
Explosion proof LED Flood Lamp



Key Features

- Input Voltage: AC100-270V
- Led Source: Cree
- PF>0.95 CRI: Ra>75
- Protection Grade: IP66
- Lumen Flux: 120 lm/w
- Anti Corrosion: WF2
- Weight: 14 KG / 30 LBS
- Size: 552 X 323 X 190 MM / 21 X 12.7 X 7.4 IN
- Beam Angle: 106.5°
- Ex-proof Grade: ExdIICT6
- Carton Size: 60.2 × 38.6 × 27.1 CM / 23.7 X 15.1 X 10.6 IN
- Gross Weight: 18 KG / 39.6 LBS

Dimensions



SPECIFICATIONS	
VIDEO INPUT	
Rated Voltage	AC220 V
Power	300-400 W
Frequency	50/60 HZ
Light Efficiency	120 LM
Power Factor	>0.95 PF
Operating Temperature	-30~50 °C / -22~122 °F
Storage Temperature	-30~50 °C / -22~122 °F
Protection Level	IP66
Lighting Angle	90 °
Light Source	LED
Correlate Color Temperature	3000-6500 K
Color Rendering Index	≥70 RA
LED Qty	360 PCS
Base Specifications	CREE3030
LED'S Operating Life	100000 H
Start-Up Time	≤0.2 S
Anti-Corrosion Grade	WF2
Explosion Proof Grade	EXDIIB T5
Executive Standard	GB3836.1 / GB3836.2
Weight	14 KG / 30 LBS
Size	552 × 323 × 190 MM / 21 X 12.7 X 7.4 IN

Models Available

MODEL	VOLTAGE
VL-EXS8266-240	240W
VL-EXS8266-300	300W
VL-EXS8266-380	380W