

# VV-2HDIR21-CVI-Mobile

2MP HDCVI IR Eyeball Mobile Camera



**VEILUX**<sup>®</sup>  
*The Art of Surveillance*



## Key Features

- Max 30fps@1080P
- HD and SD output switchable
- 2.1mm fixed lens
- Built-in Mic
- Max. IR length 3m, Smart IR
- DC12V

## System Overview

Experience a 1080P full HD mobile video surveillance solution with the simplicity of analog infrastructure. The mobile camera is designed with a shock-proof, compact case, which makes it convenient to install and adaptable to various applications. It offers a high quality image as well as a multi-language OSD. In addition, the camera employs the strengths of HDCVI to ensure real-time transmission.

## Functions

### Elaborate Design

For better adapting the applications for vehicles, the mobile camera is designed with micro-sized compact case, which minimizes the interference against on-going activities. Taking aesthetics requirements into consideration, the body and front face of the camera is all-black. On the other hand this camera can utilise 3M double-sided tape for easy and quick mounting instead of traditional screw installation.

### Audio

The camera is designed with built-mic for realizing audio collection and transmission over the aviation connector cable. Our HDCVI audio compression technology to ensure the synchronization of audio and video. Provides A/V evidence to avoid various incidents caused by oral dispute.

### Shock-proof

Vibration is inevitable in mobile applications. In order to avoid image or connection failure, the hardware structure of the mobile camera is shock-proof with the certification of EN50155. Plus, the mobile camera adopts M12 aviation connector for stable connection with MCVR.

### Simplicity

HDCVI technology inherits the born feature of simplicity from traditional analog surveillance system, making itself a best choice for investment protection. The plug and play approach enables full HD video surveillance without the hassle of configuring a network. HDCVI system can seamlessly upgrade the traditional analog system without replacing existing cabling.

### 4 Signals over 1 Coaxial Cable

HDCVI Mobile Camera supports 4 signals to be transmitted over 1 cable simultaneously, i.e. video, audio\*, data and power. Dual-way data transmission allows the HDCVI camera to interact with the HCVR, such as sending control signal or triggering alarm.

\* Audio input is available for some models of HDCVI cameras.

### Smart IR

The camera is designed with array LED IR illumination for best lowlight performance. Smart IR is a technology to ensure brightness uniformity in B/W image under low illumination. Our unique Smart IR adjusts to the intensity of camera's infrared LEDs to compensate for the distance of an object, and prevents IR LEDs from overexposing images as the object come closer to the camera.

# VV-2HDIR21-CVI-Mobile

2MP HDCVI IR Eyeball Mobile Camera



**VEILUX**<sup>®</sup>  
The Art of Surveillance

## Camera

|                          |   |
|--------------------------|---|
| Image Sensor             | 1/2.7" CMOS                                 |
| Effective Pixels         | 1920(H)×1080(V), 2MP                        |
| Scanning System          | Progressive                                 |
| Electronic Shutter Speed | PAL: 1/25~1/100000s<br>NTSC: 1/30~1/100000s |
| Minimum Illumination     | 0.02Lux/F2.0, 30IRE, 0Lux IR on             |
| S/N Ratio                | More than 65dB                              |
| IR Distance              | Up to 3m (9feet)                            |
| IR On/Off Control        | Auto/Color/B/W                              |
| IR LEDs                  | 1   |

## Lens

|                      |                         |
|----------------------|-------------------------|
| Lens Type            | Fixed lens / Fixed iris |
| Mount Type           | Board-in                |
| Focal Length         | 2.1mm                   |
| Max Aperture         | F2.0                    |
| Angle of View        | H: 139°                 |
| Focus Control        | N/A                     |
| Close Focus Distance | 400mm(15.75")           |

## DORI Distance

Note: The DORI distance is a "general proximity" of distance which makes it easy to pinpoint the right camera for your needs. The DORI distance is calculated based on sensor specification and lab test result according to EN 62676-4 which defines the criteria for Detect, Observe, Recognize and Identify respectively.

|           | DORI Definition      | Distance       |
|-----------|----------------------|----------------|
| Detect    | 25px/m<br>(8px/ft)   | 35.5m(116.5ft) |
| Observe   | 63px/m<br>(19px/ft)  | 14.2m(46.6ft)  |
| Recognize | 125px/m<br>(38px/ft) | 7.1m(23.3ft)   |
| Identify  | 250ppm<br>(76px/ft)  | 3.5m(11.5ft)   |

## Pan / Tilt / Rotation

|                   |  |
|-------------------|--|
| Pan/Tilt/Rotation | Pan: 0° ~ 40°<br>Tilt: 0° ~ 55°<br>Rotation: 0° ~ 360° |
|-------------------|--|

## Video

|                 |  |
|-----------------|--|
| Resolution      | 1080P (1920×1080)  |
| Frame Rate      | PAL: 1920×1080@25fps, 1280×720@25/50fps;<br>NTSC: 1920×1080@30fps, 1280×720@30/60fps |
| Video Output    | 1-channel BNC HDCVI high definition video output<br>(Aviation connector)             |
| Day/Night       | Electronic   |
| OSD Menu        | Multi-language   |
| BLC Mode        | BLC / HLC / DWDR   |
| WDR             | DWDR   |
| Gain Control    | AGC  |
| Noise Reduction | 2D   |
| White Balance   | Auto / Manual  |
| Smart IR        | Auto / Manual  |

## Certifications

|                |         |
|----------------|---------|
| Certifications | CE/ FCC |
|----------------|---------|

## Interface

|                              |  |
|------------------------------|--|
| Audio Interface              | Built-in Mic   |
| Aviation Connector Interface | 1-power<br>2-video ground<br>3-power ground<br>4-video |

## Electrical

|                   |                          |
|-------------------|--------------------------|
| Power Supply      | 12V DC ±25%              |
| Power Consumption | Max 1.5W (12V DC, IR on) |

## Environmental

|  |   |
|--|---|
| Operating Conditions                   | -40°C ~ +60°C (-40°F ~ +140°F) / Less than 95% RH<br>* Start up should be done at above -40°C (-40°F) |
| Storage Conditions                     | -40°C ~ +60°C (-40°F ~ +140°F) / Less than 95% RH   |
| Ingress Protection & Vandal Resistance | N/A   |

## Construction

|            |  |
|------------|--|
| Casing     | Plastic                                |
| Dimensions | 71.6mm×60.9mm×45.9mm (2.82"×2.4"×1.8") |
| Weight     | 0.085kg (0.187lb)                      |

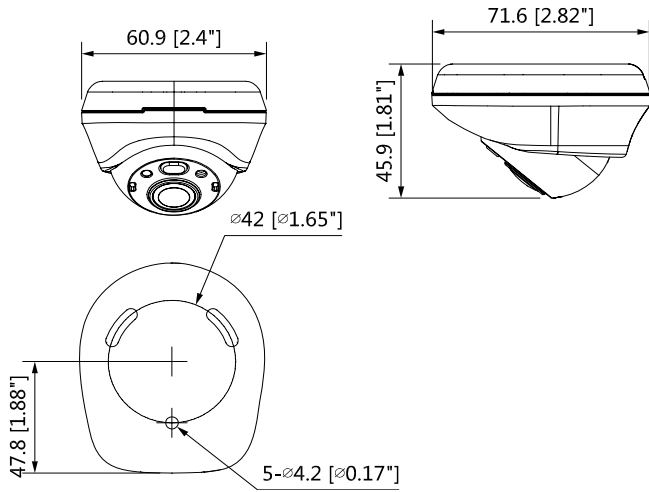
# VV-2HDIR21-CVI-Mobile

2MP HDCVI IR Eyeball Mobile Camera

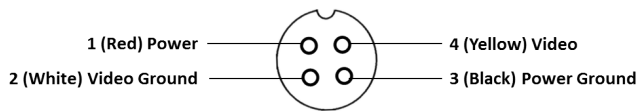


**VEILUX**<sup>®</sup>  
The Art of Surveillance

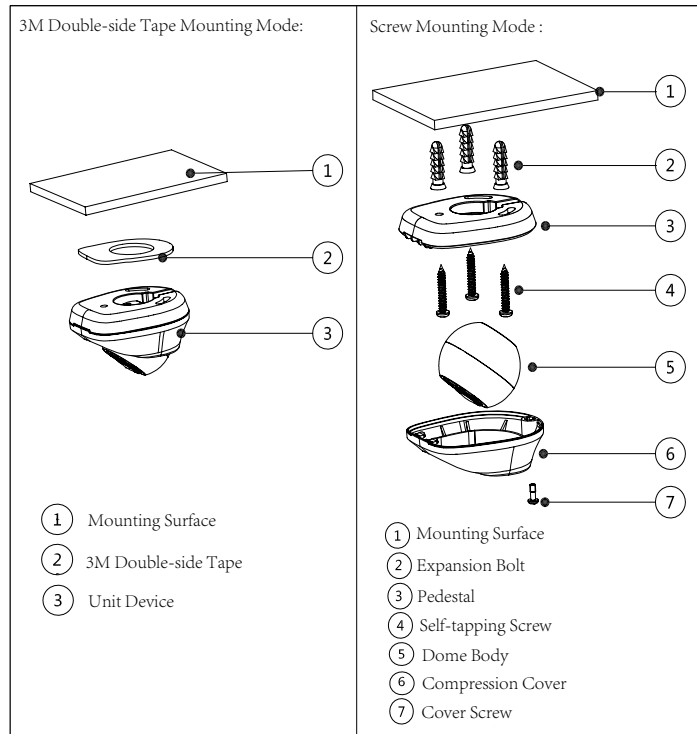
## Dimensions



## Aviation Connector



## Installation



### Veilux Inc

802 Greenview Dr. Suite 200, Grand Prairie TX. 75050 USA  
Toll Free: 1-800-510-6528 Direct: (+1) 214 635-4855 Fax: (+1) 214 988-2858  
sales@veilux.net www.veilux.net