

V-RECON SERIES VV-2HDIR24-AHD

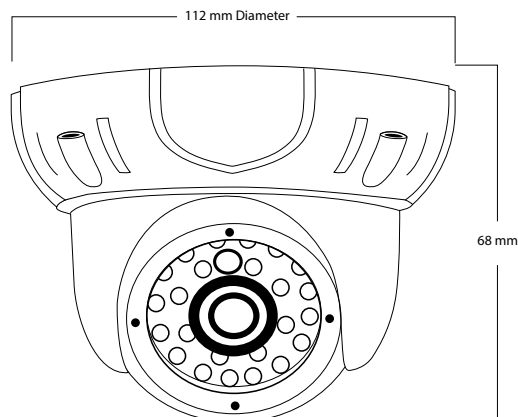
High Resolution Vandal Proof IR Fixed Lens Dome Camera



Key Features

- 1/2.8" 2.4 Mega Pixel Sony CMOS Sensor
- Resolution: Digital: 1920Hx1080P, Analog: 1200 TVL NTSC / PAL
- Motion Detection
- Real D-WDR
- 3.6mm Fixed Lens
- True Day & Night (ICR)
- Video Output-AHD
- Built-in IR LED 24 pcs (Night View Distance Indoor 30/ Outdoor 20m)
- Service Video Controller through Cable

Dimensions



SPECIFICATIONS

CAMERA	
Image Sensor	1/2.8" 2.4 Mega Pixel Sony CMOS Sensor
Resolution	Digital: 2048 x 1536, NTSC / PAL
Signal	PAL / NTSC
Min. Illumination	0.5 Lux (Color) (0 Lux IR LED ON)
Day & Night System	ICR
Shutter Speed	Auto/ Manual (1/50(1/60) ~ 1/100,000)
Wide Dynamic Range	dDWR
Scanning System	Progressive
Digital Noise Reduction	Yes
S/N Ratio	> 50dB (AGC off)
Lens	3.6mm Fixed Lens
IR LED	24 units
Video Output	AHD
Night View Distance	Indoor 30/ Outdoor 20m
AGC	1 - 5 Levels
IMAGE	
Resolution	1080P
Day & Night	Auto/ Color/ B&W/ Ext
White Balance	ATW/ Manual/ AWC Push
Backlight	1 - 16 Levels
Mirror	Off/ H/ V/ H&V/ Rotate
HLC	On/ Off
LSC	Off/ On
Privacy Zone	2 Areas
Motion	Off/ On
GENERAL	
Power Consumption	DC12V 500 MA
Operating Temperature	14°F to 131°F (-10°C to 55°C)
Storage Temperature	-4°F to 140°F (-20°C to 60°C)
Operating Humidity	10% - 85% RH
IP Rating	IP-66
Dimensions (WxDxH)	Ø140 x 100(H) (mm) [Ø5.51" x 3.94"(H) (in)]
Unit Weight	1.90 lb (0.861 kg)

